

BALDOR® • RELIANCE 

Product Information Packet

EM4103T-12

25HP,1775RPM,3PH,60HZ,284T,1054M,TEFC,F1

Part Detail							
Revision:	C	Status:	PRD/A	Change #:		Proprietary:	No
Type:	AC	Elec. Spec:	10WGZ696	CD Diagram:	CD0104	Mfg Plant:	
Mech. Spec:	10L62	Layout:	10LYL062	Poles:	04	Created Date:	10-23-2017
Base:	RG	Eff. Date:	09-11-2019	Leads:	12#10		

Specs			
Catalog Number:	EM4103T-12	Heater Indicator:	No Heater
Enclosure:	TEFC	Insulation Class:	F
Frame:	284T	Inverter Code:	Inverter Ready
Frame Material:	Iron	KVA Code:	J
Output @ Frequency:	25.000 HP @ 60 HZ	Lifting Lugs:	Standard Lifting Lugs
Synchronous Speed @ Frequency:	1800 RPM @ 60 HZ	Locked Bearing Indicator:	Locked Bearing
Voltage @ Frequency:	460.0 V @ 60 HZ	Motor Lead Quantity/Wire Size:	12 @ 10 AWG
	230.0 V @ 60 HZ	Motor Lead Exit:	Ko Box
XP Class and Group:	None	Motor Lead Termination:	Flying Leads
XP Division:	Not Applicable	Motor Type:	1054M
Agency Approvals:	UR	Mounting Arrangement:	F1
	CSA EEV	Power Factor:	81
	CSA	Product Family:	General Purpose
Auxillary Box:	No Auxillary Box	Pulley End Bearing Type:	Ball
Auxillary Box Lead Termination:	None	Pulley Face Code:	Standard
Base Indicator:	Rigid	Pulley Shaft Indicator:	Standard
Bearing Grease Type:	Polyrex EM (-20F +300F)	Rodent Screen:	None
Blower:	None	Shaft Extension Location:	Pulley End

Current @ Voltage:	31.000 A @ 460.0 V	Shaft Ground Indicator:	No Shaft Grounding
	62.000 A @ 230.0 V	Shaft Rotation:	Reversible
	64.000 A @ 208.0 V	Shaft Slinger Indicator:	Shaft Slinger
Design Code:	A	Speed Code:	Single Speed
Drip Cover:	No Drip Cover	Motor Standards:	NEMA
Duty Rating:	CONT	Starting Method:	Wye Start - Delta Run
Electrically Isolated Bearing:	Not Electrically Isolated	Thermal Device - Bearing:	None
Feedback Device:	NO FEEDBACK	Thermal Device - Winding:	None
Front Face Code:	Standard	Vibration Sensor Indicator:	No Vibration Sensor
Front Shaft Indicator:	None	Winding Thermal 1:	None
		Winding Thermal 2:	None

Nameplate NP3443L										
CAT.NO.	EM4103T-12				CUST. P/N				ENCL	TEFC
SPEC.	10L062Z696		CC	010A	FRAME	284T		SER.NO.		
HP	25		CLASS	F	HZ	60				
R.P.M.	1775		PH	3	DES	A				
VOLTS	230/460		CODE	J	ODE BRG	6309		DE BRG	6311	
AMPS	62/31		USABLE AT 208V	64						
RATING	40C AMB-CONT		NEMA NOM. EFF.	93.6		GREASE	POLYREX EM			
P.F.	81		SER.F.	1.15		VPWM INVERTER READY				
HTR-VOLTS			HTR-AMPS			HTR-WATTS				

Parts List		
Part Number	Description	Quantity
SA347064	SA 10L062Z696	1.000 EA
RA335614	RA 10L062Z696	1.000 EA
09FN3001D02	EXTERNAL FAN, PLASTIC	1.000 EA
10CB3000SP	KOBX, CAST W/2.00 LEAD HOLE	1.000 EA
09GS1000SP	GASKET-CONDUIT BOX, 1/16 THICK LEXIDE	1.000 EA
10XN3118K12	5/16-18 X .75 GRADE 5, ZINC PLATED	4.000 EA
HW1001A31	LOCKWASHER 5/16, ZINC PLT.591 OD, .319 I	4.000 EA
HA1005A04	SLINGER, OD 3.620, ID 1.98,	1.000 EA
WD1000B25	GND LUG, BURNDY L125HP OR T&B L125HP-BB	1.000 EA
19XW3118G08	.31-18X.50,HEX WSHR HD,TAPTITE 2,GREEN	1.000 EA
10EP1104A01	FR ENDPLATE	1.000 EA
10XN3816K28	3/8-16 X 1.75 HEX HD CAP SCREW, GRADE 5	4.000 EA
HW1001A38	LOCKWASHER 3/8, ZINC PLT .688 OD, .382 I	4.000 EA
HW5100A11	W3917-042 WVY WSHR (WB)	1.000 EA
10EP1105A01	PU ENDPLATE	1.000 EA
10XN2520K32	1/4-20 X 2.00 HX HD SCRW GRADE 5, ZINC P	2.000 EA
HW1001A25	LOCKWASHER 1/4, ZINC PLT .493 OD, .255 I	2.000 EA
10XN3118K40	5/16-18 X 2.50" HEX HD, GRADE 5	4.000 EA
HW1001A31	LOCKWASHER 5/16, ZINC PLT.591 OD, .319 I	4.000 EA
10XN3816K28	3/8-16 X 1.75 HEX HD CAP SCREW, GRADE 5	4.000 EA
HW1001A38	LOCKWASHER 3/8, ZINC PLT .688 OD, .382 I	4.000 EA
10FH1007	FAN COVER, CAST QF	1.000 EA
10XN3118K20	5/16-18 X 1 1/4 GRADE 5 STEEL ZC PLATED	3.000 EA
HW1001A31	LOCKWASHER 5/16, ZINC PLT.591 OD, .319 I	3.000 EA

Parts List (continued)		
Part Number	Description	Quantity
10CB3500SP	CONDUIT BOX LID, CAST	1.000 EA
10GS1000SP	GASKET, CONDUIT BOX LID	1.000 EA
51XW2520A12	.25-20 X .75, TAPTITE II, HEX WSHR SLTD	4.000 EA
HW2501H28	KEY, 1/2 SQ X 3.250	1.000 EA
LB1115N	LABEL,LIFTING DEVICE (ON ROLLS)	1.000 EA
HW4500A21	1618BALEMITE FITTING 825 UNIVERSAL	1.000 EA
HA4017A11	1/8 X 2.75 GREASE EXT (F/S)	1.000 EA
HW4500A17	317400 ALEMITE GREASE RELIEF	1.000 EA
HA4054	SHORT T-DRAIN FITTING, .125" N.P.T.	1.000 EA
HA4051A00	PLASTIC CAP FOR GREASE FITTING	1.000 EA
MJ1000A02	GREASE, MOBIL POLYREX EM - 124047	0.130 LB
HW4500A03	GREASE FITTING, .125 NPT 1610(ALEMITE) 8	1.000 EA
HW4500A17	317400 ALEMITE GREASE RELIEF	1.000 EA
HA4054	SHORT T-DRAIN FITTING, .125" N.P.T.	1.000 EA
HA4051A00	PLASTIC CAP FOR GREASE FITTING	1.000 EA
HW2500A25	WOODRUFF KEY USA #1008 #BLOW CARBON STEE	1.000 EA
51XB1214A20	12-14X1.25 HXWSSLD SERTYB	1.000 EA
MG1000Y03	MUNSELL 2.53Y 6.70/ 4.60, GLOSS 20,	0.070 GA
85XU0407S04	4X1/4 U DRIVE PIN STAINLESS	4.000 EA
LB1119N	WARNING LABEL	1.000 EA
LC0104A01	CONNECTION DIAGRAM	1.000 EA
NP3443L	SS SUPER-E UL CSA-EEV PREM CC	1.000 EA
10PA1000	PACKAGING GROUP COMBINED PRINT PK1023A06	1.000 EA
MN416A01	TAG-INSTAL-MAINT no wire (1200/bx) 3/19	1.000 EA

PE-0000013	ZRTG PE ASSEMBLY	1.000 EA
------------	------------------	----------

AC Induction Motor Performance Data

Record # 67498 - Typical performance - not guaranteed values

Winding: 10WGZ696-R001	Type: 1054M	Enclosure: TEFC
-------------------------------	--------------------	------------------------

Nameplate Data				460 V, 60 Hz: Run Connection	
Rated Output (HP)	25			Full Load Torque	74.02 LB-FT
Volts	230/460			Start Configuration	direct on line
Full Load Amps	62/31			Breakdown Torque	262 LB-FT
R.P.M.	1775			Pull-up Torque	118 LB-FT
Hz	60	Phase	3	Locked-rotor Torque	142 LB-FT
NEMA Design Code	A	KVA Code	J	Starting Current	223 A
Service Factor (S.F.)	1.15			No-load Current	13.6 A
NEMA Nom. Eff.	93.6	Power Factor	81	Line-line Res. @ 25°C	0.2345 Ω
Rating - Duty	40C AMB-CONT			Temp. Rise @ Rated Load	51°C
S.F. Amps				Temp. Rise @ S.F. Load	61°C
				Locked-rotor Power Factor	30.6

Load Characteristics 460 V, 60 Hz, 25 HP

% of Rated Load	25	50	75	100	125	150	S.F.
Power Factor	43	65	76	81	84	85	83
Efficiency	88.3	92.8	93.9	94	93.7	93.1	93.8
Speed	1794.1	1789.3	1783.5	1777.8	1770.8	1763.8	1774
Line amperes	15.3	19.3	24.6	30.6	37.2	44.5	34.6

Performance Graph at 460V, 60Hz, 25.0HP Typical performance - Not guaranteed values

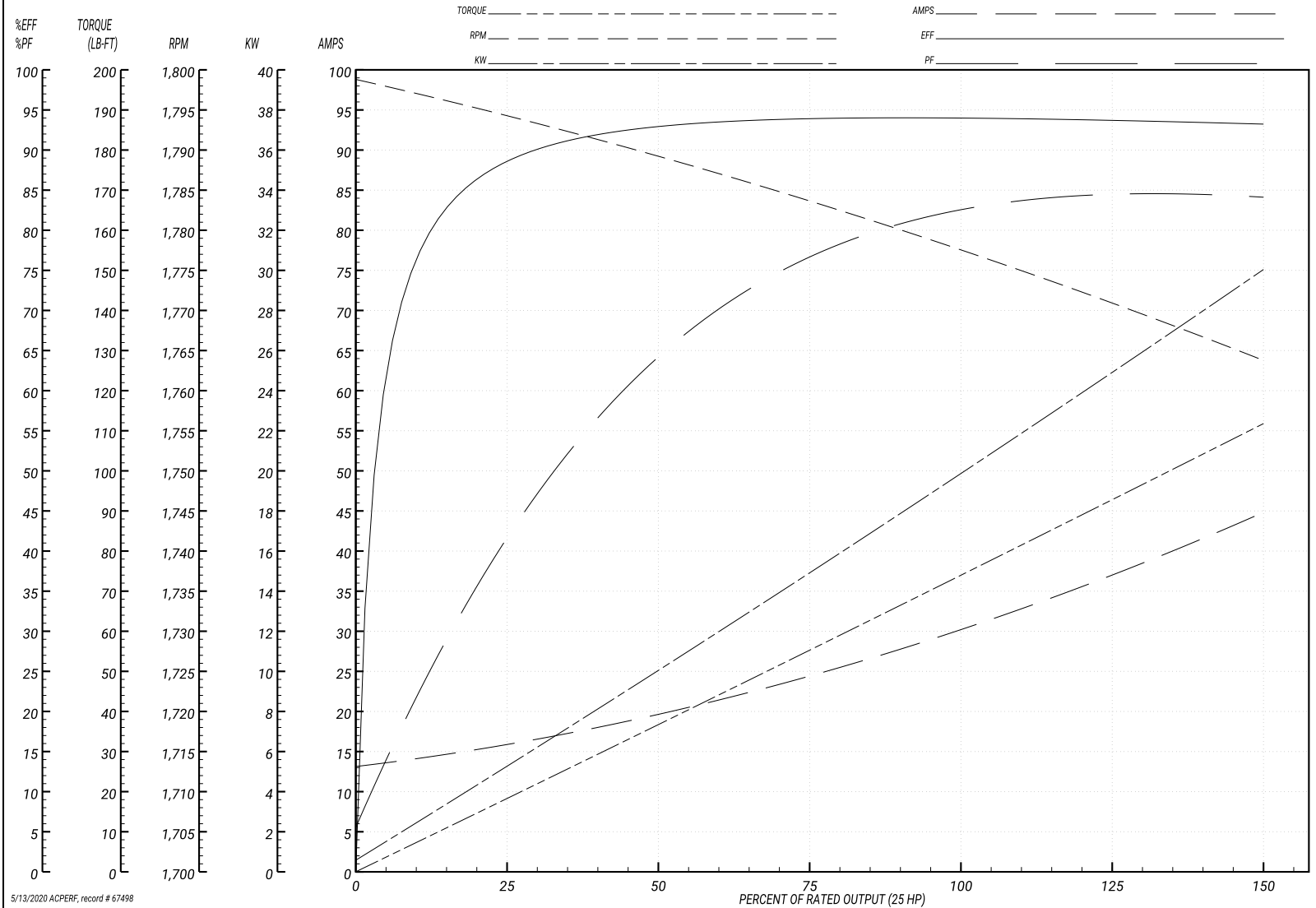
ABB Motors and Mechanical Inc.

WINDING # 10WGZ696

Typical performance - not guaranteed values.

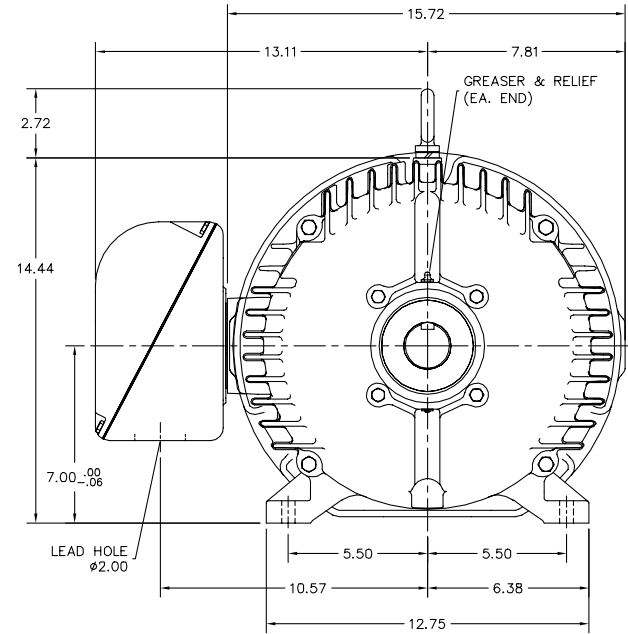
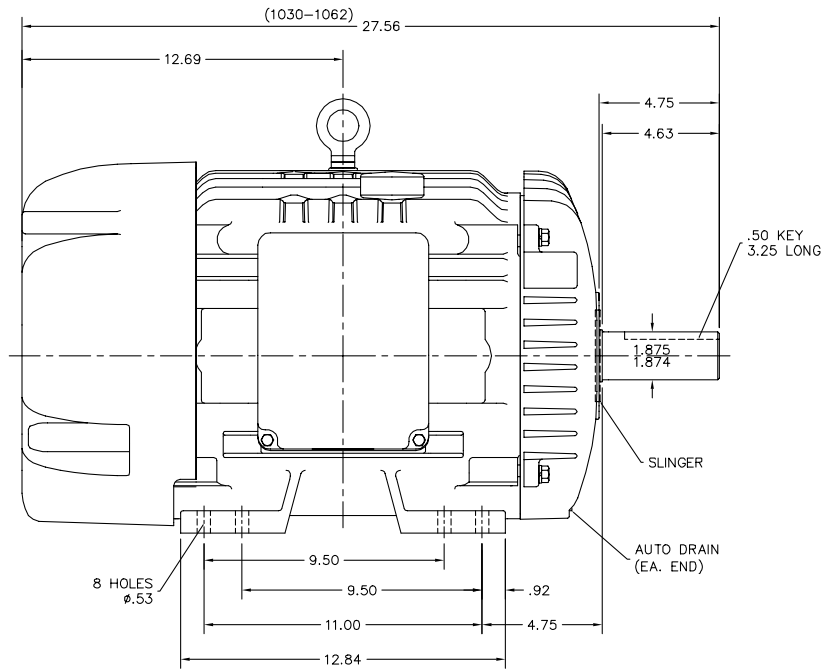
25 HP 3 PH 60 HZ 1775 RPM 460 V 1054M

TORQUES(LB-FT): PO=262 PU=118 LR=142 LRA=223



5/13/2020 ACPERF, record # 67498

10LYL062

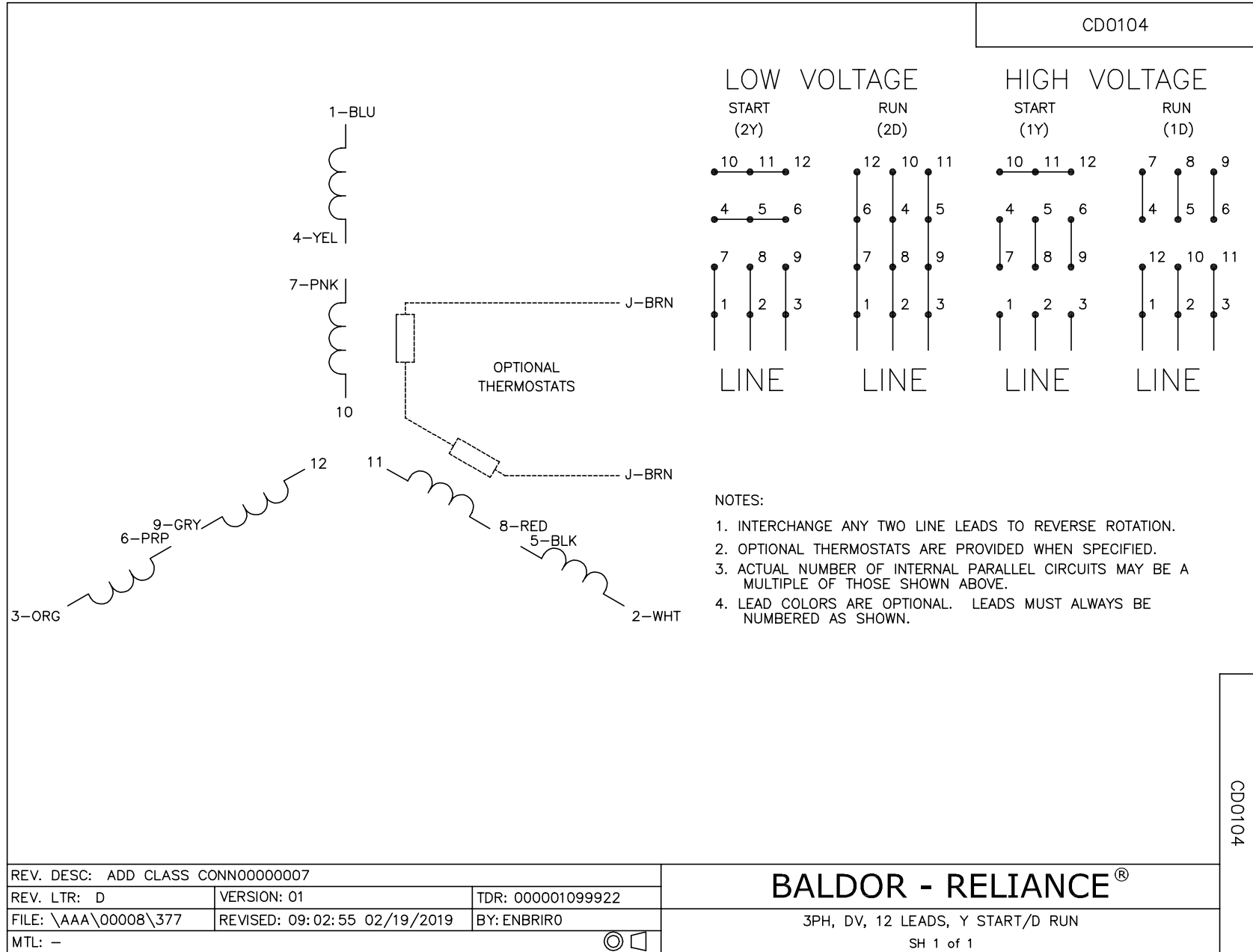


10LYL062

CUSTOMER IS RESPONSIBLE FOR DETERMINING THAT BALDOR'S PRODUCT WILL PERFORM SUITABLY IN THE INTENDED APPLICATION.

REV. DESC: UPDATE DRAIN FITTING		
REV. LTR: H	VERSION: 04	TDR: 000000B57835
FILE: \AAA\00008\906	REVISED: 09:05:36 06/17/2014	BY: ENNINDO
MTL: -		

BALDOR
 HORZ TEFC 284-6T, HI-EFF
 SH 1 of 1



REV. DESC: ADD CLASS CONN00000007			BALDOR - RELIANCE [®]
REV. LTR: D	VERSION: 01	TDR: 000001099922	
FILE: \AAA\00008\377	REVISED: 09:02:55 02/19/2019	BY: ENBRIRO	
MTL: -			

3PH, DV, 12 LEADS, Y START/D RUN

SH 1 of 1

CD0104

Marketing maintained PDF of MN416:

[MN416?ManNumber=MN416](#)